

# SABER® II & SABER®

## ATD-80303

Single Strip 3-Watt LED Cordless Rechargeable Work Light

### OWNER'S MANUAL

Original & Revised editions\*

\*Please review all of the pages of this manual when ordering parts. There were several minor changes made to the internal parts including the handle, the magnet and the charger; this could affect the part number that you order. The oldest lights have a round magnet on the bottom. The next generation of lights have 2 square magnets on the bottom. The newest lights have 2 square magnets on the bottom and the new 3-in-1 charging system with the mini USB port. Please check the parts lists carefully before ordering parts.



\*\*\*For Units With Round Magnetic Base\*\*\*

# SABER® II

ATD-80303

## 3-Watt SABER II LED Strip Light Owner's Manual



### Features And Specifications:

- Strip 3W COB Super bright LEDs
- Use 3.7V 2200mAh Li-ion rechargeable battery
- Up to 2- 3 hours of continuous use
- Automatic shut off and over charge protection prolongs battery life
- 180 degree horizontal rotate function for convenient application
- 360 degree rotating hook at top
- Impact protection, ergonomic grip handle
- Built in magnetic work stand for easy application

### Operating instructions

- To use, plug the unit into any 110-120 VAC power source, such as a wall receptacle. Let the unit fully charge until the green indicator on the charger turns on before use
- Charge this light every month if not in constant use, and after each use to insure longevity
- Press the switch at the bottom of the handle to turn unit on, press the switch again to turn it off

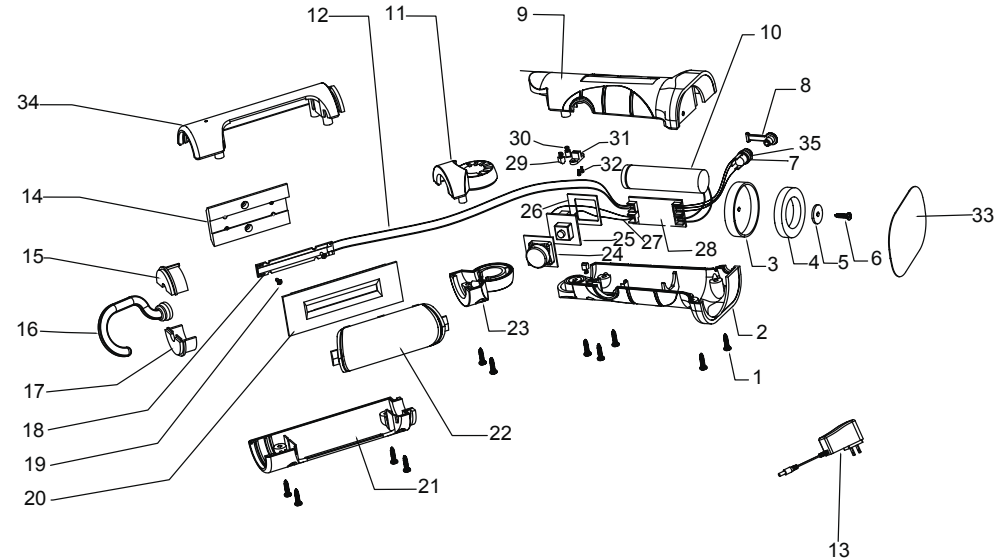
### Cautions

- For indoor use only - don't use in or around tubs, showers, sinks, pools, hot tubs, or in a wet environment
- Use only the recommended voltage and frequency requirements
- Keep out of reach of children
- Do not operate light with wet hands
- Keep lamp away from hot objects

Made in China to ATD Tools, Inc. Specifications  
Visit us at [www.atdtools.com](http://www.atdtools.com)

# SABER® II

ATD-80303



ITEM#	ORDERING PART#	PART DESCRIPTION
1	PRT80303-01	SCREW
2	PRT80303-02	RIGHT HANDLE
3	PRT80303-03	MAGNET BASE
4	PRT80303-04	MAGNET
5	PRT80303-05	MAGNET PAD
6	PRT80303-06	SCREW
7	PRT80303-07	DC POWER INLET
8	PRT80303-08	DC COVER
9	PRT80303-09	LEFT HANDLE
10	PRT80303-10	LI-ION BATTERY
11	PRT80303-11-23	JOINT
12	PRT80303-12	WIRE
13	PRT80303-13	CHARGER
14	PRT80303-14	COOLER BOARD
15	PRT80303-15	HOOK B LEVER
16	PRT80303-16	TOP HOOK
17	PRT80303-17	HOOK A LEVER
18	PRT80303-18	COB LED

ITEM#	ORDERING PART#	PART DESCRIPTION
19	PRT80303-19	SCREW
20	PRT80303-20	PLASTIC BOARD
21	PRT80303-21	RIGHT LENS HOUSING
22	PRT80303-22	LENS
23	PRT80303-11-23	JOINT
24	PRT80303-24	BUTTON CAP
25	PRT80303-25-28	BUTTON BOARD ASSY
26	PRT80303-25-28	BUTTON BOARD ASSY
27	PRT80303-25-28	BUTTON BOARD ASSY
28	PRT80303-25-28	BUTTON BOARD ASSY
29	PRT80303-29	PICK GEAR
30	PRT80303-30	HOOK SPRING
31	PRT80303-31	WIRE BOARD
32	PRT80303-32	SCREW
33	PRT80303-33	BOTTOM STICKER
34	PRT80303-34	LEFT LENS HOUSING
35	PRT80303-35	SCREW
n/a	PRT80303-MK	MAGNET UPGRADE KIT

# SABER® II

ATD-80303

## 3-Watt SABER II LED Strip Light Owner's Manual



### Features And Specifications:

- SABER 3-Watt single strip COB LED bulb offers a wider and brighter lighting area
- Lithium-ion battery for longer life and consistent power
- Super strong magnetic base sticks to steel surfaces
- 360° rotating hook on top
- Light head rotates 180° and pivots 120° to focus light on work area
- Automatic shut-off and overcharge protection for optimal battery life
- Tough impact resistant ergonomic housing
- COB (Chip On Board) LEDs have increased thermal dissipation, longer lifetime and better lighting effect
- Bulb: 3 Watt LED strip
- Lux: 80-90
- Lumens: 180-220
- Battery: 3.7 Volt, 2200mAh lithium-ion rechargeable
- Run Time: 3 hours continuous
- Overall Length - 11-1/4" (not including the hook)

### Operating instructions

- To use, plug the unit into any 110-120V AC power source, such as a wall receptacle. Let the unit fully charge until the green indicator on the charger turns on before use.
- Press the switch on the handle to turn the unit on, press the switch again to turn it off.
- Charge light after each use if it is used often to ensure longevity. Charge light every month if not in constant use.

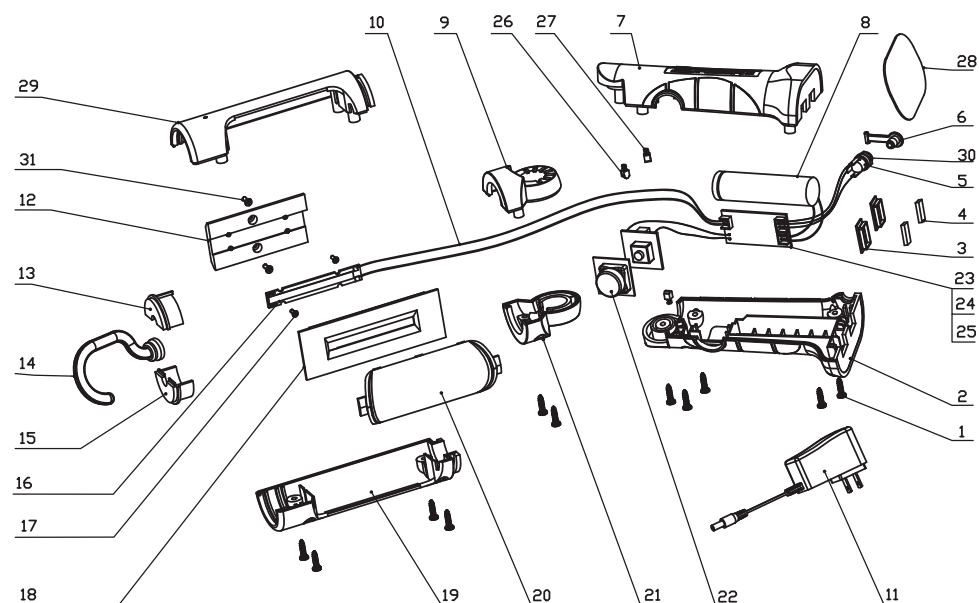
### Cautions

- For indoor use only - do not use in or around tubs, showers, sinks, pools, hot tubs, or in a wet environment.
- Use only the recommended voltage and frequency requirements.
- Keep out of reach of children.
- Do not operate light with wet hands.
- Keep lamp away from hot objects.

Made in China to ATD Tools, Inc. Specifications  
Visit us at [www.atdtools.com](http://www.atdtools.com)

# SABER® II

## ATD-80303



ITEM#	ORDERING PART#	PART DESCRIPTION
1	PRT80303-01	SCREW
2	PRT80303-02N	RIGHT HANDLE
3	PRT80303-03N	MAGNET BASE
4	PRT80303-04N	MAGNET
5	PRT80303-07	DC POWER INLET
6	PRT80303-08	DC COVER
7	PRT80303-09N	LEFT HANDLE
8	PRT80303-10	LI-ION BATTERY
9	PRT80303-11-23	JOINT
10	PRT80303-12	WIRE
11	PRT80303-13	CHARGER
12	PRT80303-14	COOLER BOARD
13	PRT80303-15	HOOK B LEVER
14	PRT80303-16	TOP HOOK
15	PRT80303-17	HOOK A LEVER
16	PRT80303-18	COB LED

ITEM#	ORDERING PART#	PART DESCRIPTION
17	PRT80303-19	SCREW
18	PRT80303-20	PLASTIC BOARD
19	PRT80303-21	RIGHT LENS HOUSING
20	PRT80303-22	LENS
21	PRT80303-11-23	JOINT
22	PRT80303-24	BUTTON CAP
23	PRT80303-25-28	BUTTON BOARD ASSY
24	PRT80303-25-28	BUTTON BOARD ASSY
25	PRT80303-25-28	BUTTON BOARD ASSY
26	PRT80303-29	PICK GEAR
27	PRT80303-30	HOOK SPRING
28	PRT80303-33	BOTTOM STICKER
29	PRT80303-34	LEFT LENS HOUSING
30	PRT80303-35	NUT
31	PRT80303-36	COB FIXED SCREW

\*\*\*For units with square magnets AND USB charging port\*\*\*



**ATD-80303**  
**3-Watt SABER LED Strip Light**  
**Owner's Manual**



**Features And Specifications:**

- 3-Watt single strip COB LED bulb offers a wider and brighter lighting area
- Lithium-ion battery for longer life and consistent power
- Super strong magnetic base sticks to steel surfaces
- 360° rotating hook on top
- Light head rotates 180° and pivots 120° to focus light on work area
- Automatic shut-off and overcharge protection for optimal battery life
- Tough impact resistant ergonomic housing
- COB (Chip On Board) LEDs have increased thermal dissipation, longer lifetime and better lighting effect
- Bulb: 3 Watt LED strip
- Lux@1m: 110
- Lumens: 290
- Battery: 3.7 Volt, 2200mAh lithium-ion rechargeable
- Run Time: 3 hours continuous
- Charging Time: 4 hours
- Overall Length - 11-1/4" (not including the hook)

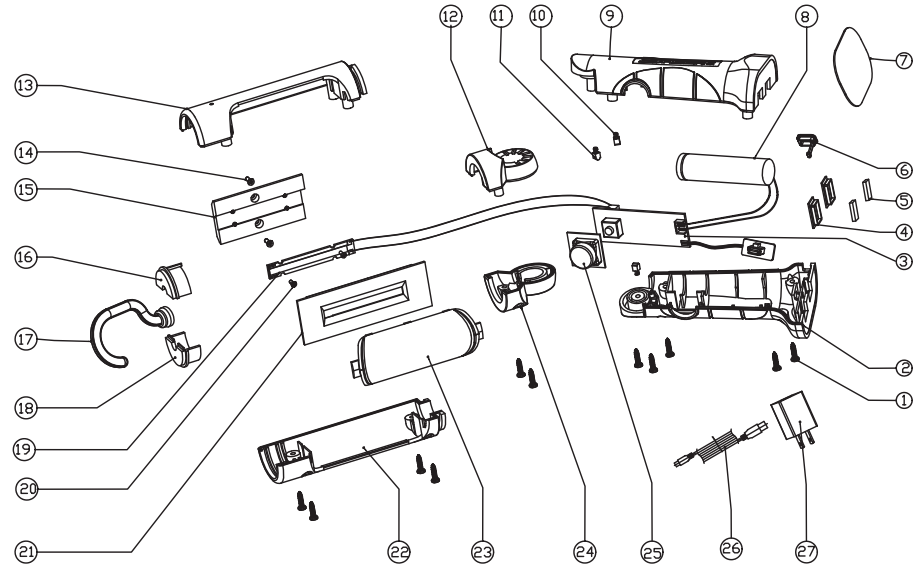
**Operating instructions**

- To use, plug the unit into any 110-120V AC power source, such as a wall receptacle. Let the unit fully charge until the green indicator inside the USB socket turns on before use
- Press the switch on the handle to turn the unit on, press the switch again to turn it off
- Charge light after each use if it is used often to ensure longevity. Charge light every month if not in constant use

**Cautions**

- For indoor use only - do not use in or around tubs, showers, sinks, pools, hot tubs, or in a wet environment.
- Use only the recommended voltage and frequency requirements.
- Keep out of reach of children.
- Do not operate light with wet hands.
- Keep lamp away from hot objects.

Made in China to ATD Tools, Inc. Specifications  
 Visit us at [www.atdtools.com](http://www.atdtools.com)



ITEM#	ORDERING PART#	PART DESCRIPTION
1	PRT80303-01	SCREW
2	PRT80303-37	RIGHT HANDLE
3	PRT80303-38	PCB BOARD
4	PRT80303-03N	MAGNET BASE
5	PRT80303-04N	MAGNET
6	PRT80303-39	USB COVER
7	PRT80303-33	BOTTOM STICKER
8	PRT80303-10	LHON BATTERY
9	PRT80303-40	LEFT HANDLE
10	PRT80303-30	HOOK SPRING
11	PRT80303-29	PICK GEAR
12	PRT80303-11-23	JOINT
13	PRT80303-21-34	LENS HOUSING
14	PRT80303-36	COB FIXED SCREW

ITEM#	ORDERING PART#	PART DESCRIPTION
15	PRT80303-14	COOLER BOARD
16	PRT80303-15	HOOK B LEVER
17	PRT80303-16	TOP HOOK
18	PRT80303-17	HOOK A LEVER
19	PRT80303-18	COB LED
20	PRT80303-19	SCREW
21	PRT80303-20	PLASTIC BOARD
22	PRT80303-21-34	LENS HOUSING
23	PRT80303-22	LENS
24	PRT80303-11-23	JOINT
25	PRT80303-24	BUTTON CAP
26	PRT80304-27	USB
27	PRT80304-22	AC ADAPTOR